

HZ VALVE HENGZHENG VALVE



[Http://www.valvehz.com](http://www.valvehz.com)



• FORGED STEEL VALVE • CAST STEEL VALVE

BRIEF INTRODUCTION

HENGZHENG

VALVE



Zhejiang HengZheng valve Co.,Ltd. are a specializing supplying various standards caststeel valves, fittings company in china; All sold product must be tested and inspected in test locale by our company colleague; we are very luck for Servericing our every customers.

Our product as follows:

Standard: ANSI Standard, BS Standard, DIN Standard, JIS Standard etc.

Material: Cast Steel(A216-WCB, A352-LCB, A217-WC1/WC5/WC6/WC9), Forged Steel(A105, F5, F11, F22, LF2), Stainless Steel(A351 CF8/CF8M/CF3/CF3, A182 F304/F316/F304L/F316L), Alloy steel(ALLOY20), Titanium alloy etc.

Size: from 1/2 inches to 48 inches from 15mm~1200mm.

Valve: Gate valve, Globe valve, Check valve, Ball valve, Butterfly valve, Plug valve, Chose valve, Needle valve, Knife gate valve, resilient gate valve, bellow globe valve etc.

Connect: Flanged ends, Butt-welding ends, Socket welding ends, Threaded ends etc.

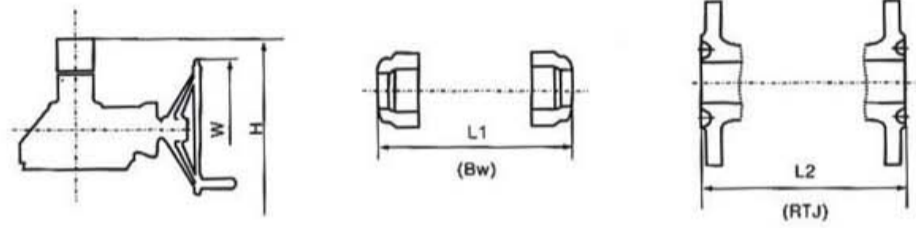
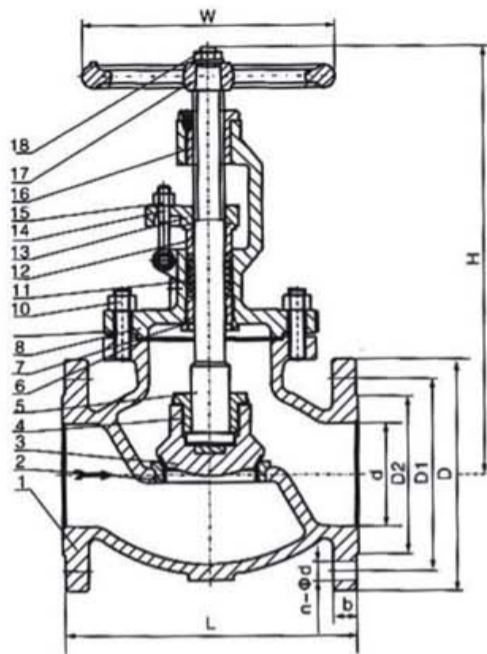
Pressure grade: ANSI CLASS 150, CLASS 300, CLASS 600, CLASS 800, CLASS 900, CLASS 1500, CLASS 2500, DIN PN6, PN10, PN16, PN25, PN40, PN64, PN100, PN160, JIS 5K, 10K, 20K etc.

Moreover, we are also engage in processing trade; We can manufacture the products exactly as per the customer's specific requirements such as nominated trademark and marking, the customer's own technical drawings, etc.

Look forward to having a chance to serve your esteemed company.



[Http://www.valvehz.com](http://www.valvehz.com)



Bolted bonnet, Outside screw & yoke, Rising stem, Plug type disc

Design and manufacture: ANSI B16.34 and BS1873

Test and inspection: API 598

Face to face dimensions: ANSI B16.10

End flange dimensions: ANSI B16.5

Butt-welding end: ANSI B16.25

Size: 2" ~ 36"

Material of Body/Bonnet and Trim

Body/bonnet/disc	WCB, LCB, LCC, WC1, WC6, WC9, C5, C12, CF8, CF8M, CF3 and CF3M etc.
Trim (Disc/body seat)	F6/F6, 304/304, 304L/304L, HF/HF, F6/HF, Monel/Monel, 316/316, 316L/316L, Monel/HF and 316/HF etc.

Type of operation: hand wheel, gear electric or pneumatic actuator etc.

Standard Material of part

NO	Part	Material
1	Body	ASTM A216 WCB
2	Seat ring	A105+13CR
3	Disc	ASTM A216 WCB+13CR
4	Disc nut	ASTM A182 F6a
5	Stem	ASTM A182 F6a
6	Gasket	Stainless steel and graphite spiral wound
7	Backseat bushing	ATM A182 F6
8	Bonnet	ASTM A216 WCB
9	Bonnet bolt	ASTM A193 B7
10	Bonnet nut	ASTM A194 2H
11	Stem packing	Graphite
12	Gland	ASTM A182 F6
13	Gland flange	ASTM A216 WCB
14	Gland eyebolt	ASTM A193 B7
15	Gland nut	ASTM A194 2H
16	Stem nut	ZCuAl10Fe3/A394 D2
17	Hand wheel	Ductile iron
18	H.W.Lock Nut	ANSI 1020



Cast Steel Globe Valve

Class 150/300/600/900/1500

Dimensions(in mm&inch)and Weight

Class 150

DN	50	65	80	100	125	150	200	250	300
NPS	2	2.1/2	3	4	5	6	8	10	12
L-L1(RF-BW)	203	216	241	292	356	403	495	622	698
L2(RTJ)	216	229	254	305	368	419	508	635	711
H(OPEN)	380	435	465	530	580	650	760	860	1000
W	200	250	250	300	300	350	400	500	600
RF(Kgs)	22	30	37	61	90	110	168	238	410
BW(Kgs)	19	27	34	51	75	88	146	215	370

Class 300

DN	50	65	80	100	125	150	200	250	300
NPS	2	2.1/2	3	4	5	6	8	10	12
L-L1(RF-BW)	267	292	318	356	400	445	559	622	711
L2(RTJ)	283	308	333	371	416	460	575	638	727
H(OPEN)	425	465	530	610	695	790	870	1040	1140
W	200	250	250	300	300	400	500	500	600
RF(Kgs)	27	40	53	80	130	155	240	340	49
BW(Kgs)	21	33	44	66	110	128	210	280	410

Class 600

DN	50	65	80	100	150	200	250	300
NPS	2	2.1/2	3	4	6	8	10	12
L-L1(RF-BW)	292	330	356	432	559	660	787	838
L2(RTJ)	295	333	359	435	562	664	791	840
H(OPEN)	475	515	585	675	885	945	1040	1280
W	250	250	300	350	450	500	600	750
RF(Kgs)	40	57	72	121	250	450	700	900
BW(Kgs)	36	45	61	97	222	356	588	800

Class 900

DN	50	65	80	100	150	200	250	300
NPS	2	2.1/2	3	4	6	8	-	-
L-L1(RF-BW)	368	419	381	457	610	737	-	-
L2(RTJ)	371	422	384	460	613	740	-	-
H(OPEN)	600	660	665	800	1015	1145	-	-
W	300	350	350	500	600	600	-	-
RF(Kgs)	87	130	122	182	434	730	-	-
BW(Kgs)	80	115	102	167	385	620	-	-

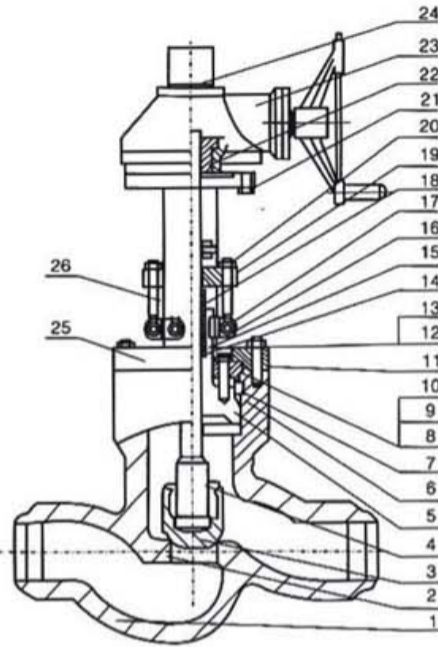
Class 1500

DN	50	65	80	100	150	200	250	300
NPS	2	2.1/2	3	4	6	8	-	-
L-L1(RF-BW)	368	419	470	546	705	832	-	-
L2(RTJ)	371	422	473	549	711	841	-	-
H(OPEN)	600	660	770	850	1145	1345	-	-
W	300	350	500	500	600	600	-	-
RF(Kgs)	87	130	250	435	540	970	-	-
BW(Kgs)	80	115	220	385	450	790	-	-



Size Range: 2"-8

Trim Material to API600



Seating code	Body seat surface part No.2	Wedge seat surface part No.3	Stem part No.4	Wedge seat surface stuffing box part No.5
1	F6	F6	F6	F6
2	Stellite	Stellite	F6	F6
3	stellite	F6	F6	F6
4	F304	F304	F304	F304
5	F316	F316	F316	F316
6	Monel	Monel	Monel	Monel
7	Alloy 20	Alloy 20	Alloy 20	Alloy 20
8	Hastelloy B	Hastelloy B	Hastelloy B	Hastelloy B

Standard Material of part

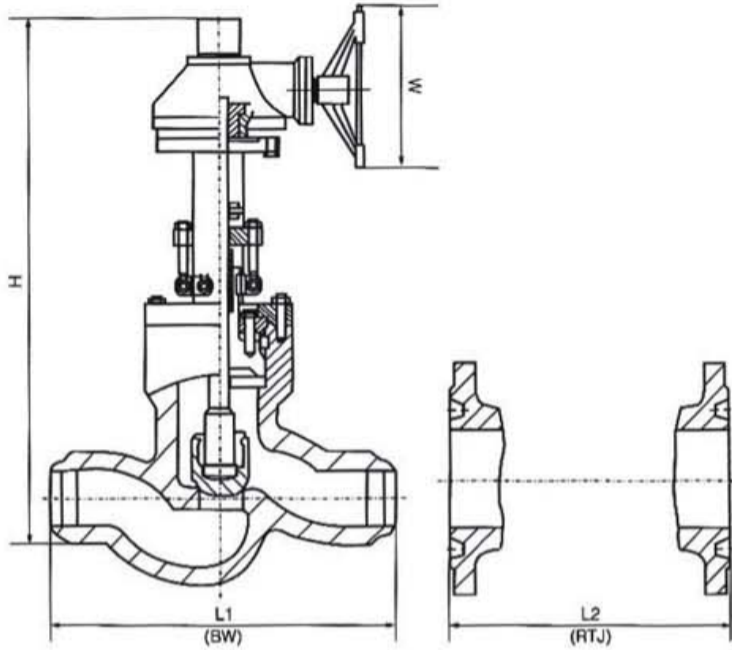
No .	Part Name	WCB	WC6	WC9	C5	CF8	CF8M
1	Body	A216WCB	A217WC6	A217WC9	A217 C5	A351 CF8	A351 CF8M
5	Stuffing Box	A216WCB	A217WC6	A217WC9	A217 C5	A351 CF8	A351 CF8M
6	seat Ring	AISI 316L	AISI 316L	AISI 316L	AISI 316L	AISI 316L	AISI 316L
7	Split Ring	Steel	Steel	Steel	Steel	S.S.	S.S.
8	Back Ring	Steel	Steel	Steel	Steel	S.S.	S.S.
9	Bolt	A193 B7	A193 B16	A193 B16	A193 B16	A193 B8	A193 B8
10	Nut	A194 2H	A194 4	A194 4	A194 4	A194 Gr.8	A194 Gr.8
11	Yoke	A216 WCB	A217 WC6	A217 Wc9	A217 C5	A351 CF8	A351 CF8M
12	Bolt	A193 B7	A193 B16	A193 B16	A193 B16	A193 B8	A193 B8
13	Nut	A194 2H	A194 4	A194 4	A194 4	A194 Gr.8	A194 Gr.8
14	Packing plate	AISI 410	AISI 410	AISI 410	AISI 410	AISI 304	AISI 316
15	Packing	Flexible Graphite(Braided and Die-formed Ring)or PTFE					
16	Split Pin	Steel	Steel	Steel	Steel	Steel	Steel
17	Eyebolt	A193 B7	A193 B16	A193 B16	A193 B16	A193 B8	A193 B8
18	Gland	A182 F6	A182 F6	A182 F6	A182 F6	A182 F304	A182 F316
19	Gland Flange	A105	A105	A105	A105	A182 F304	A182 F316
20	Nut	A194 2H	A194 4	A194 4	A194 4	A194 Gr.8	A194 Gr.8
21	Stud	A193 B7	A193 B16	A193 B16	A193 B16	A193 B8	A193 B8
22	Stem Nut	Ni-resist A439-D2					
23	Gear Box	Purchased					
24	Protector	Steel					
25	Nameplate	AISI 304					
26	Rivet	AISI 304					

*Other material on request.

Cast Steel Pressure Sealed Globe Valve



Class 900/1500/2500



OS&Y, Rising Stem, Plug Type Disc.
Threaded Seat Ring

Basic design: ANSI B 16.34
Face to face dimensions: ANSI B 16.10
End flange dimensions: ANSI B 16.5
Butt-welding end: ANSI B 16.25

Test Pressure to API 598

Class	Test Pressure		
	Shell Test (Hydro.)	Seat Test (Hydro.)	Seat Test (Air)
900	3350psig	2442psig	80psig
1500	5626psig	4078psig	80psig
2500	9275psig	6787psig	80psig

Dimensions(in mm & inch) and Weight

Class 900/1500/2500

NPS DN	Pressure	2	2-1/2	3	4	6	8	
		50	65	80	100	150	200	
L(RF)	900Lb	368	419	381	457	610	737	
	1500Lb	368	419	470	546	705	832	
	2500Lb	451	508	578	673	914	1022	
L2(RTJ)	900Lb	371	422	384	460	613	740	
	1500Lb	371	422	473	549	711	841	
	2500Lb	454	514	584	683	927	1038	
H(Open)	900Lb	550	605	678	798	930	1260	
	1500Lb	550	605	866	956	1260	1263	
	2500Lb	560	720	755	1230	1791	2086	
W	900Lb	350	350	400	450	458	610*	
	1500Lb	400	400	450	560	610*	610*	
	2500Lb	400	450	560	310*	610*	760*	
Weight	RF	900Lb	78	108	102	142	400	960
		1500Lb	85	110	135	230	660	1590
		2500Lb	140	168	247	620	1500	3200
	BW	900Lb	66	91	87	128	355	868
		1500Lb	77	101	122	209	595	1440
		2500Lb	100	118	180	438	1148	2594

*Gear Operation is recommended.

HENGZHENG VALVE

Add: puer industry zone, oubei town, yongjia county,
zhejiang province, china

Tel: 86-577-67980686

Fax: 86-577-67981355

Mobile: 86-13868701968

Http://www.valvehz.com

E-mail: sales@valvehz.com export@valvehz.com

Msn:hz.valve@hotmail.com

Skp:hzvalve